



GRABER CRANE SERVICE

QUOTE REQUEST

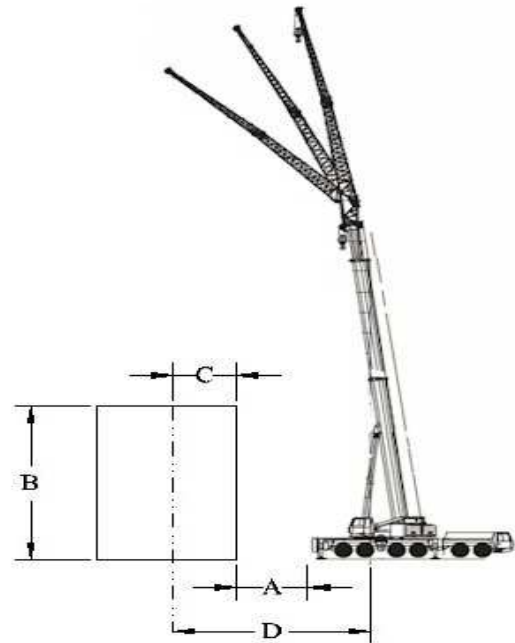
(812) 254-6202

| | | | |
|------------------|----------------------|--------|----------------------|
| Contact | <input type="text"/> | Phone | <input type="text"/> |
| Company | <input type="text"/> | Mobile | <input type="text"/> |
| Address | <input type="text"/> | Fax | <input type="text"/> |
| | <input type="text"/> | Email | <input type="text"/> |
| City, State, Zip | <input type="text"/> | | |

Job Information

| | City | State | Address | Jobsite Name |
|--------------------|----------------------|----------------------|----------------------|-------------------------|
| Location | <input type="text"/> | <input type="text"/> | <input type="text"/> | <input type="text"/> |
| Job Description | <input type="text"/> | | | |
| Start Date | <input type="text"/> | Est. # of Days: | <input type="text"/> | Site Specific Training? |
| Site Contact | <input type="text"/> | | Mobile: | <input type="text"/> |
| Rigging | <input type="text"/> | | | |
| Special Conditions | <input type="text"/> | | | |

| | | |
|-----------|---|-----------------------------|
| A | Setup Distance | <input type="text"/> |
| B | Height | <input type="text"/> |
| C | Distance In on Roof | <input type="text"/> |
| A+C | Total distance from crane to center of load | <input type="text"/> |
| D | Total Lift Radius | <input type="text"/> |
| Weight | Total Load to be lifted | <input type="text"/> in LBS |
| Load Size | L _____ W _____ H _____ | |



Return by Fax or Email

Fax: (812) 254-9639

Email: cneidigh@grabercrane.com